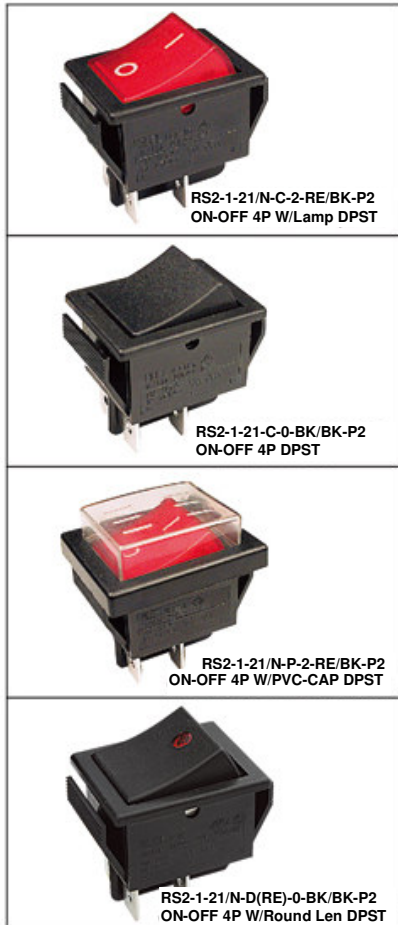
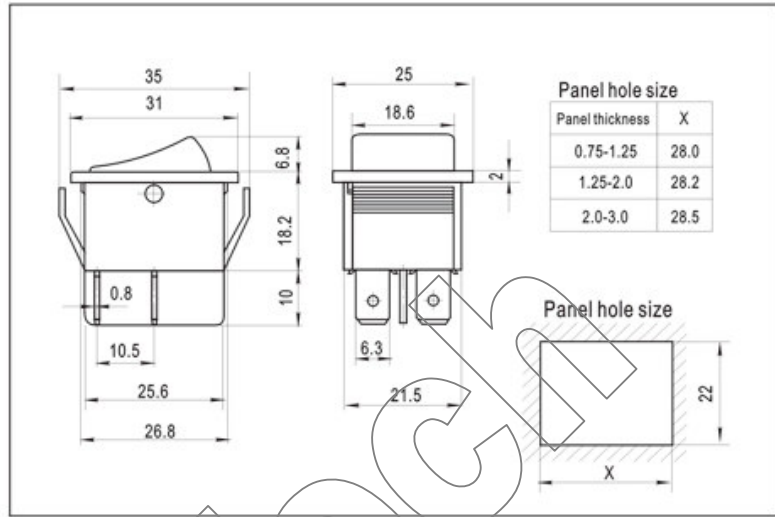


**Rocker Switch (RS2-1 Series)**



**SPECIFICATIONS**

16 (4) A 250VAC T125/55 1E4  
 16A 125VAC / 8A 250VAC  
 (H) Rating: 16 (8) A 250VAC T85/55 1E4  
**ROHS Compliance**



EXPLANATION MODEL NUMBER

**RS2 - 1 - 21/N - C - 2 - RE/BK - P1 .... (2)**

